

**STIHL**<sup>®</sup>

**STIHL FH**

Instruction Manual





## Contents

Interchangeable Attachments	2
Guide to Using this Manual	2
Safety Precautions and Working Techniques	3
Using the Unit	6
Approved Basic Power Tools	7
Mounting the Attachment	7
Adjusting the Cutter Bar	10
Fitting the Harness	12
Starting / Stopping the Engine	13
Lubricating the Gearbox	14
Storing the Machine	15
Maintenance and Care	15
Sharpening Instructions	15
Minimize Wear and Avoid Damage	16
Main Parts	17
Specifications	18
Maintenance and Repairs	18
Disposal	19
EC Declaration of Conformity	19

Dear Customer,

Thank you for choosing a quality engineered STIHL product.

It has been built using modern production techniques and comprehensive quality assurance. Every effort has been made to ensure your satisfaction and troublefree use of the product.

Please contact your dealer or our sales company if you have any queries concerning this product.

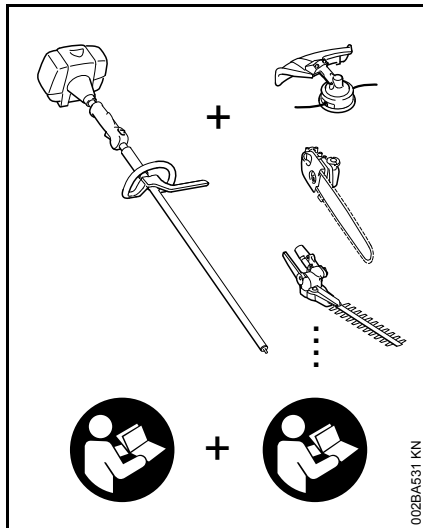
Your



Dr. Nikolas Stihl



## Interchangeable Attachments



The STIHL interchangeable attachment may be mounted to different STIHL power tools.

This includes KombiAttachmentEngines in some markets. In these markets the KombiAttachmentEngines and interchangeable attachments are part of the KombiAttachmentSystem.

The approved power tool models are listed in the chapter on "Approved Basic Power Tools".

In this instruction manual the functional unit formed by the basic power tool **and** interchangeable attachment is referred to as the power tool.

Therefore, the separate instruction manuals for the basic power tool and attachment should be used together for the power tool.

Always read and and make sure you understand **both** instruction manuals before using your power tool for the first time and keep them in a safe place for future reference.

## Guide to Using this Manual

### Pictograms

---

All the pictograms attached to the machine are shown and explained in this manual.

### Symbols in text

---



#### WARNING

Warning where there is a risk of an accident or personal injury or serious damage to property.



#### NOTICE

Caution where there is a risk of damaging the machine or its individual components.

### Engineering improvements

---

STIHL's philosophy is to continually improve all of its products. For this reason we may modify the design, engineering and appearance of our products periodically.

Therefore, some changes, modifications and improvements may not be covered in this manual.

## Safety Precautions and Working Techniques



Because a power scythe is a high-speed, fast-cutting power tool with very sharp cutting blades and a long reach, special safety precautions must be observed during operation.



Always read and and make sure you understand both instruction manuals (basic power tool and attachment) before using your power tool for the first time and keep them in a safe place for future reference. Non-observance of the safety precautions may result in serious or even fatal injury.

Lend or rent your power tool only to persons who are familiar with this model and its operation – and only with the instruction manuals of the basic power tool and attachment.

Use your power scythe only for cutting grass, scrub, shrubs, thicket, bushes and similar materials.

Do not use your power tool for any other purpose because of the **increased risk of accidents**.

Only use cutting blades and accessories that are explicitly approved for this power tool by STIHL or are technically identical. If you have any questions in this respect, consult a servicing dealer.

Use only high quality tools and accessories in order to avoid the risk of accidents and damage to the machine.

STIHL recommends the use of genuine STIHL tools and accessories. They are specifically designed to match the product and meet your performance requirements.

Never attempt to modify your machine in any way since this may increase the risk of personal injury. STIHL excludes all liability for personal injury and damage to property caused while using unauthorized attachments.

Do not use a pressure washer to clean your power tool. The solid jet of water may damage parts of the power tool.

### Clothing and Equipment

Wear proper protective clothing and equipment.



Clothing must be sturdy but allow complete freedom of movement. Wear snug-fitting clothing, an overall and jacket combination, do not wear a work coat.

Avoid clothing that could get caught on branches or brush or moving parts of the machine. Do not wear a scarf, necktie or jewelry. Tie up and confine long hair (e.g. with a hair net, cap, hard hat, etc.).



Wear steel-toed safety boots with non-slip soles.

### **! WARNING**



To reduce the risk of eye injuries, wear close-fitting safety glasses in accordance with European Standard EN 166. Make sure the safety glasses are a comfortable and snug fit.

Wear hearing protection, e.g. earplugs or ear muffs.

Wear a safety hard hat for thinning operations, when working in high scrub and where there is a danger of head injuries from falling objects.



Wear heavy-duty work gloves made of durable material (e.g. leather).

STIHL offers a comprehensive range of personal protective clothing and equipment.

### Transporting the Power Tool

Always shut off the engine.

Always fit the blade guard (scabbard) – even when you carry the unit for short distances.

Move the cutter bar to the transport position and make sure it is properly engaged.

Carry the power tool properly balanced by the drive tube – cutting blades behind you.

**To reduce the risk of serious burn injuries**, avoid touching hot parts of the machine, including the gearbox housing.

Transporting by vehicle: Properly secure your power tool to prevent turnover, fuel spillage and damage.

### Before Starting

Check that your power tool is properly assembled and in good condition – refer to appropriate chapters in the instruction manuals of the basic power tool and attachment.

- Cutting blades: Correctly assembled, securely mounted and in good condition (clean, move freely, not warped), properly sharpened and sprayed thoroughly with STIHL resin solvent (lubricant).
- Never attempt to start the machine in the transport position (cutter bar folded against drive tube).
- Never attempt to modify the controls or safety devices in any way.
- Keep the handles dry and clean – free from oil and dirt – for safe control of the power tool.
- Adjust shoulder strap and handles to suit your height and reach. See chapter on "Fitting the Harness".

**To reduce the risk of accidents**, do not operate your power tool if it is damaged or not properly assembled.

If you use a shoulder strap or full harness: Practice removing and putting down the machine as you would in an emergency. To avoid damage, do not throw the machine to the ground when practicing.

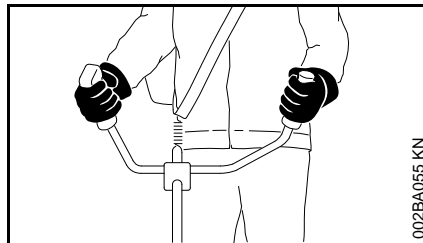
### Holding and Controlling the Power Tool

Always hold the power tool firmly with both hands on the handles.

Make sure you have firm and secure footing and hold the power tool so that the cutting blades are always away from your body.

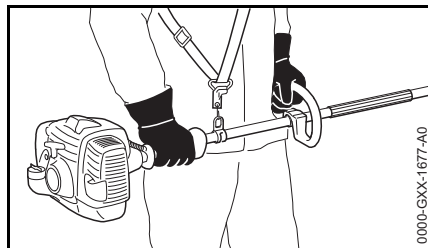
Some versions of the machine can be carried on a harness to relieve the weight on the operator's arms.

#### **Models with bike handle**



Right handle on control handle, left hand on left handle.

#### **Models with loop handle**



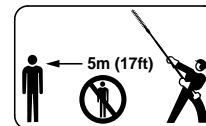
Right hand on control handle, left hand on loop handle on drive tube, even if you are left-handed. Wrap fingers and thumbs firmly around the handles.

### During Operation

In the event of impending danger or in an emergency, switch off the engine immediately by moving the slide control / stop switch/button to **0** or **STOP**.



This power tool is not insulated against electric shock. **To reduce the risk of electrocution**, keep well clear of electric power lines.



**To reduce the risk of injury from moving blades or falling cuttings**, do not allow bystanders within 5 meters of your own position.

**To reduce the risk of damage to property**, also maintain this distance from other objects (vehicles, windows).

Make sure the idle speed setting is correct. The cutting blades must not run when the engine is idling with the throttle trigger released. Check and correct the idle speed setting regularly. If the cutting blades still run when the engine is idling, have your dealer check your machine and make proper adjustments or repairs – see instruction manual of basic power tool.

Watch the cutting blades at all times – do not cut areas of the bush or scrub that you cannot see.

Be extremely careful when cutting high scrub or bushes, check the other side frequently for bystanders.



The gearbox becomes hot during operation. **To reduce the risk of burn injury**, do not touch the gearbox housing.

**Take special care in slippery conditions** (ice, wet ground, snow) – on slopes or uneven ground.

Clear away fallen branches, scrub and cuttings from the work area.

Watch out for obstacles: Roots and tree stumps which **could cause you to trip or stumble**.

Make sure you always have good balance and secure footing.

#### **When working at heights:**

- Always use a lift bucket
- Never work on a ladder or in a tree
- Never work on an insecure support
- Never operate your power tool with one hand

Be particularly alert and cautious when wearing hearing protection because your ability to hear warnings (shouts, alarms, etc.) is restricted.

**To reduce the risk of accidents**, take a break in good time to avoid tiredness or exhaustion.

Work calmly and carefully – in daylight conditions and only when visibility is good. Stay alert so as not to endanger others.

Inspect scrub and work area to avoid damaging the cutting blades:

- Remove stones, rocks, pieces of metal and other solid objects.
- When working close to the ground, make sure that no sand, grit or stones get between the blades.
- Take particular care when cutting scrub or bushes next to or against wire fences.

**To avoid the risk of electrocution**, do not touch electric power lines – never cut through electric power lines.



Do not touch the cutting blades while the engine is running. If the cutting blades become jammed by an object, switch off the engine immediately before attempting to remove the object – **there is otherwise a risk of injury**.

Opening the throttle while the blades are blocked increases the load and reduces engine speed. The clutch then slips continuously and this causes overheating and damage to important components (e.g. clutch, polymer housing components) – and **this can increase the risk of injury** from the cutting blades moving while the engine is idling.

If your power tool is subjected to unusually high loads for which it was not designed (e.g. heavy impact or a fall), always check that it is in good condition before continuing work – see also "Before Starting". Make sure the safety devices are working properly. Do not

continue operating your power tool if it is damaged. In case of doubt, consult your servicing dealer.

If the scrub is very dusty or dirty, spray the blades with STIHL resin solvent from time to time during cutting. This helps greatly reduce blade friction as well as the aggressive effects of sap and the build-up of dirt particles.

Check the cutting attachment at regular short intervals during operation or immediately if there is a noticeable change in cutting behavior:

- Shut off the engine.
- Wait until the cutting blades have come to a complete standstill.
- Check condition and tightness, look for cracks.
- Check sharpness.

#### **After finishing work**

---

After finishing work or before leaving the unit unattended: Shut off the engine.

Always clean dust and dirt off the machine – do not use any grease solvents for this purpose.

Spray the blades with STIHL resin solvent. Run the engine briefly so that the solvent is evenly distributed.

#### **Maintenance and Repairs**

---

Service the machine regularly. Do not attempt any maintenance or repair work not described in the instruction manuals of the basic power tool and attachment. Have all other work performed by a servicing dealer.

STIHL recommends that you have servicing and repair work carried out exclusively by an authorized STIHL servicing dealer. STIHL dealers are regularly given the opportunity to attend training courses and are supplied with the necessary technical information.

Only use high-quality replacement parts in order to avoid the risk of accidents and damage to the power tool. If you have any questions in this respect, consult a servicing dealer.

STIHL recommends the use of genuine STIHL replacement parts. They are specifically designed to match your model and meet your performance requirements.

To reduce the risk of injury, **always shut off the engine** before carrying out any maintenance or repairs or cleaning the machine.

## Using the Unit

Do not use your power scythe during other people's rest periods.

The power scythe is used at ground level. As its blades operate like a mower bar, the unit is ideal for cutting scrub, thicket, reed, wild growth and hard grasses. The power scythe is particularly suitable for applications in busy areas, such as traffic islands or parks, because cuttings are not caught and thrown by the blades.

## Disposal

Do not throw cuttings into the garbage can – they can be composted.

## Preparations

- Set cutter bar to required angle.
- Remove the blade scabbard.
- Start the engine.
- Put on the shoulder strap.
- Attaching Machine to Shoulder Strap

## Working Technique



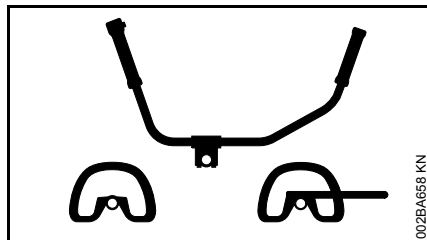
Working position and method are the same as for a brushcutter: Sweep the cutter bar to and fro in an arc just above the ground.



## Approved Basic Power Tools

### WARNING

This interchangeable attachment is only approved for use on a basic power tool equipped with one of the following handle systems:



- Bike handle
- Loop handle

Operation of this interchangeable attachment is permitted only with the following basic power tools:

### Bike-handled or loop-handled machines

- STIHL KA 85 R
- STIHL FS 91, FS 91 R, FS 111, FS 111 R, FS 131, FS 131 R

### WARNING

Combinations with basic power tools other than those listed above are not permitted since **they may result in accidents or serious personal injury.**

To retrofit the loop handle see chapter on "Mounting the Loop Handle".

To retrofit the carrying ring – see "Fitting the Carrying Ring".

The FH attachment is not approved for use on machines with a short drive tube.

## Mounting the Attachment

### Preparations for Mounting the Attachment

### WARNING

To reduce the risk of injury, always shut off the engine before converting the basic power tool.

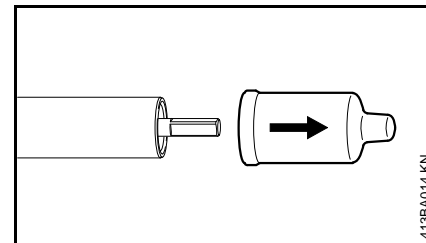
### NOTICE

Make sure the work area is clean before mounting or removing the attachment.

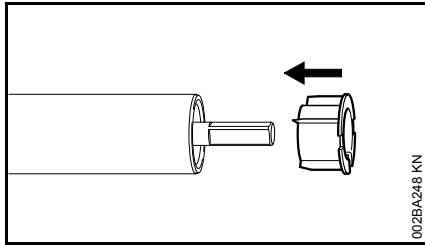
- Rest the power tool on the machine support.

### Removing the Protective Cap

If a cap is fitted on the end of the power tool's drive tube:



- Pull the protective cap off the end of the drive tube and keep it in a safe place.

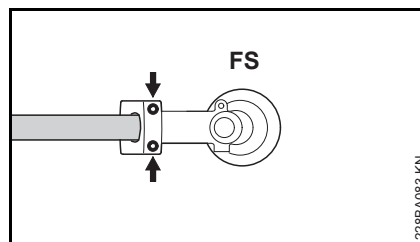
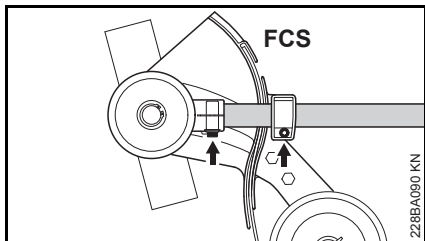
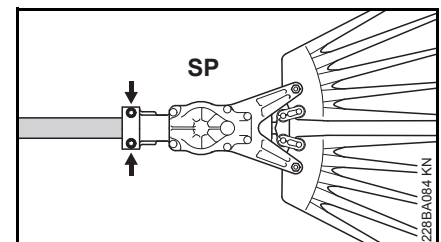
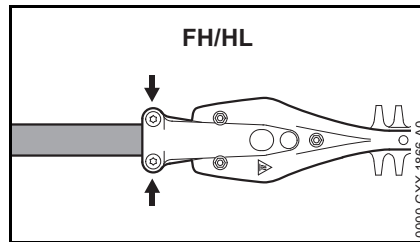
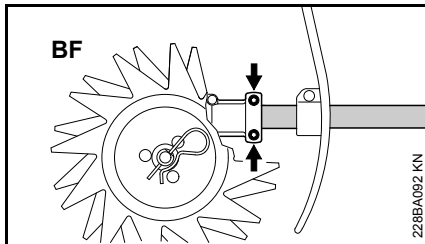
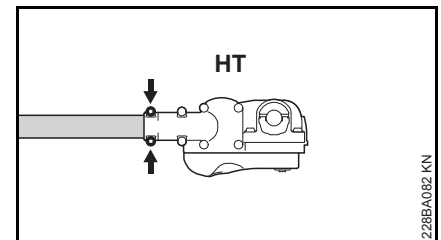
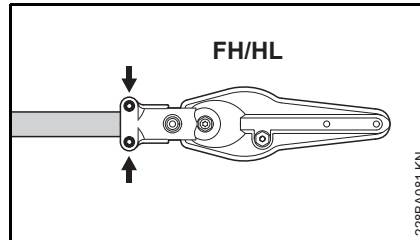
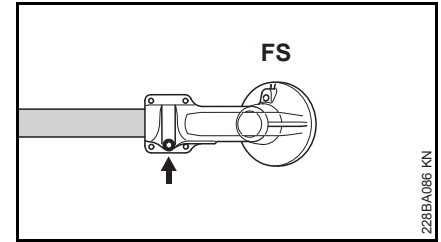
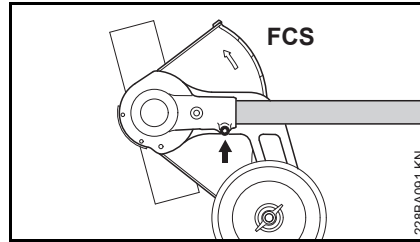


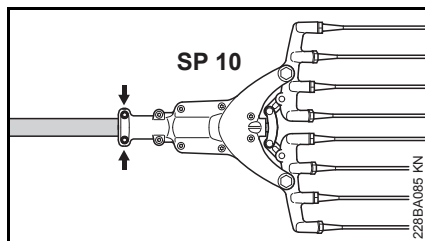
If the plug comes out of the drive tube when you pull off the cap:

- Push the plug into the drive tube as far as stop.

### Removing the gearbox or attachment

Remove any existing gearbox or interchangeable attachment from the basic power tool.

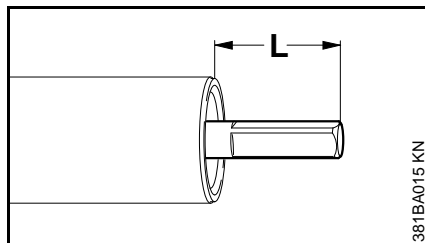




- Loosen the clamp screws (arrows) on the gearbox housing – do not remove them.
- Pull the gearbox off the drive tube.

If the drive shaft slips out of the tube when you pull off the gearbox:

- Push the drive shaft into the tube.

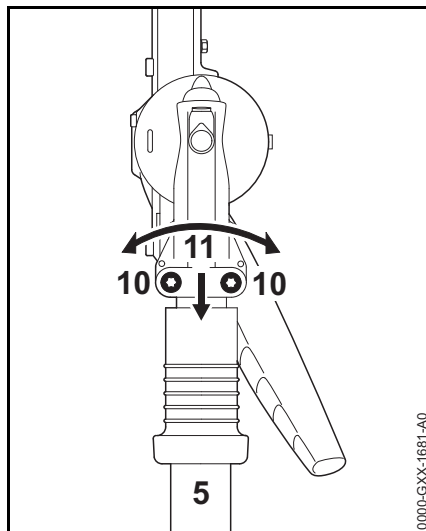


The drive shaft must not project from the tube more than  $L = 22 \text{ mm}$  (7/8 in).

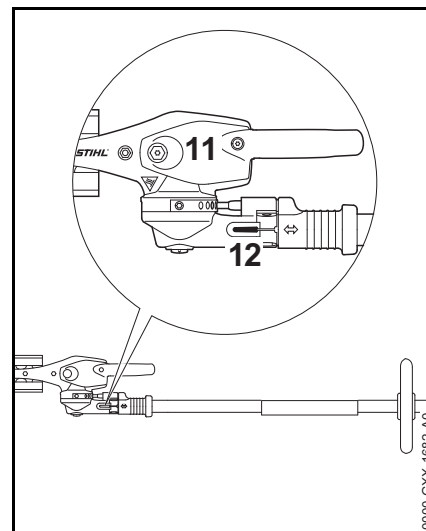
If dimension (L) is not correct:

- Apply slight pressure to the drive shaft and rotate it slowly at the same time until it can be pushed in to the specified length.

## Mounting the Gearbox



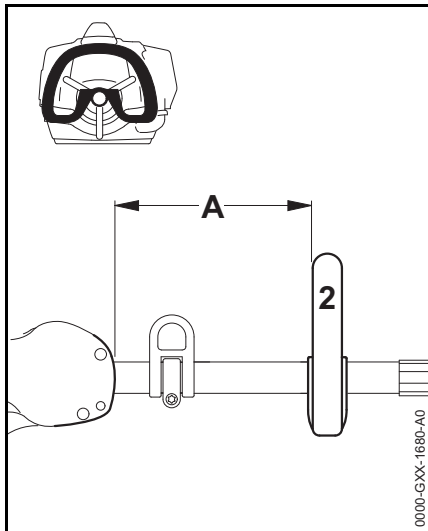
- Loosen the clamp screws (10).
- Push the gearbox (11) onto the drive tube (5), turn the gearbox (11) back and forth as necessary.



Once the end of the drive tube is inserted beyond the slot in the clamp (12):

- Push the gearbox (11) fully home as far as stop.
- Tighten down the clamp screws moderately.
- Line up the gearbox (11) with the powerhead.
- Tighten down the clamp screws firmly.

## Models with Loop Handle



- Loosen the screws on the loop handle.
- Align the loop handle (2) and move it to the most comfortable position.

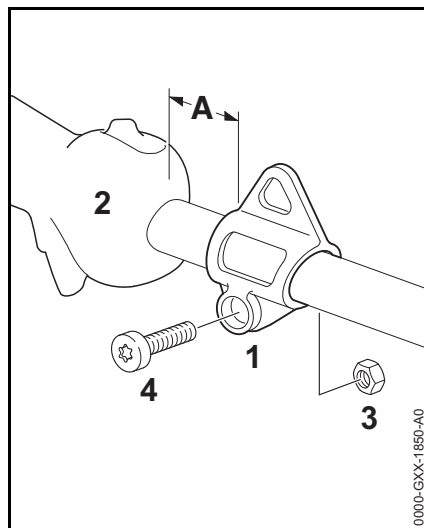
Distance A must not be more than  $A = 20$  cm.

- Tighten down the screws on the loop handle.

## Fitting the Carrying Ring

A carrying ring is necessary if the power tool is to be used with a shoulder strap/harness. Not all versions of basic power tools are equipped with a carrying ring.

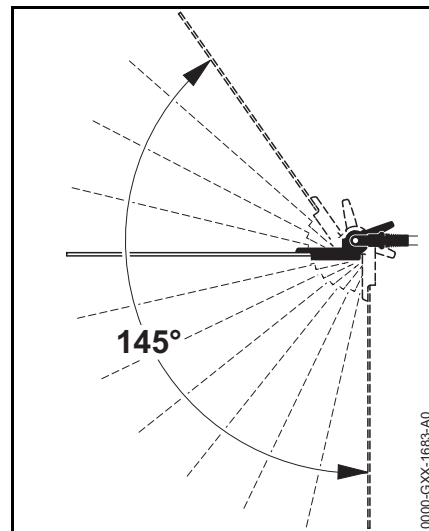
The carrying ring is available as a special accessory and is mounted as described below.



- Mount the carrying ring (1) about 5 cm (A) forward of the control handle (2).
- Push the carrying ring (1) over the drive tube.
- Insert the M5 nut (3) in the hex recess in the carrying ring.
- Fit the M5x14 screw (4).
- Line up the carrying ring.
- Tighten down the screw firmly.

## Adjusting the Cutter Bar

### Angle Adjuster - 145°



The angle of the cutter bar can be adjusted upwards in 4 stages from 0° (straight) to 55°, and downwards in 7 stages from 0° to 90° (right angle facing down). There are therefore 12 possible working positions.

### **! WARNING**

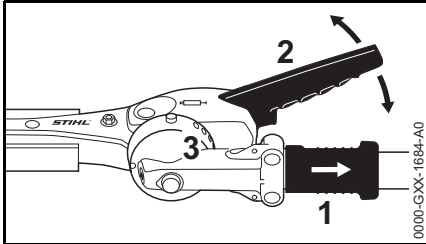
**To reduce the risk of injury**, carry out the adjustment only when the cutting blades are at a standstill – engine at idle speed.

### **! WARNING**

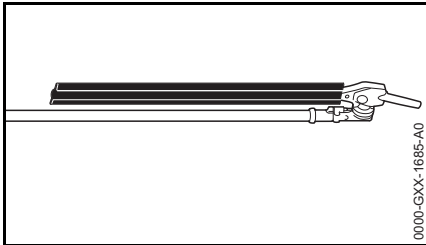
The gearbox gets hot during operation. **To reduce the risk of burn injury**, do not touch the gearbox.

**! WARNING**

To reduce the risk of injury, never touch the blades while making adjustments.



- Pull back the sliding sleeve (1) and use the lever (2) to adjust the joint by one or several holes.
- Release the sliding sleeve (1) and make sure the lock pin engages the quadrant (3).

**Transport Position**

The cutter bar can be folded flat against the drive tube and locked in position to save space during transportation.

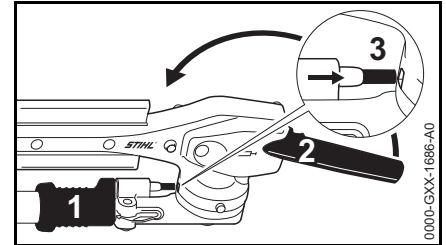
**! WARNING**

To reduce the risk of injury, always shut off the engine – depress stop switch – and fit the blade scabbard before

moving the cutter bar to the transport position or from the transport position to the normal working position.

**! WARNING**

The gearbox gets hot during operation. To reduce the risk of burn injury, do not touch the gearbox.

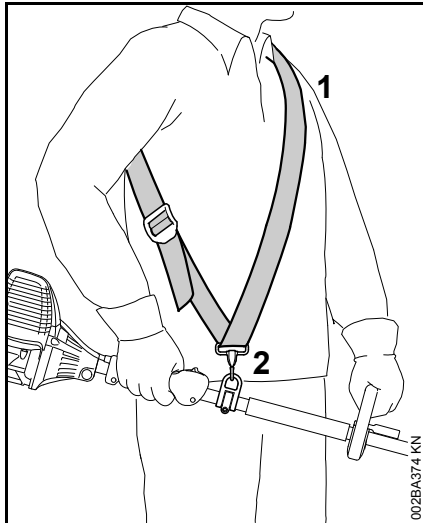


- Shut off the engine.
- Fit the blade scabbard.
- Pull back the sliding sleeve (1) and use the lever (2) to swing the joint upwards – in direction of drive tube – until the cutter bar is flat against the drive tube.
- Release the sliding sleeve (1) and make sure the lock pin engages the quadrant (3).

## Fitting the Harness

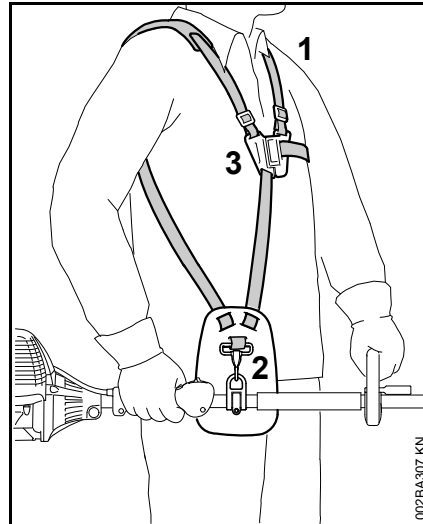
The type and style of the harness and carabiner (spring hook) depend on the market.

### Shoulder Strap



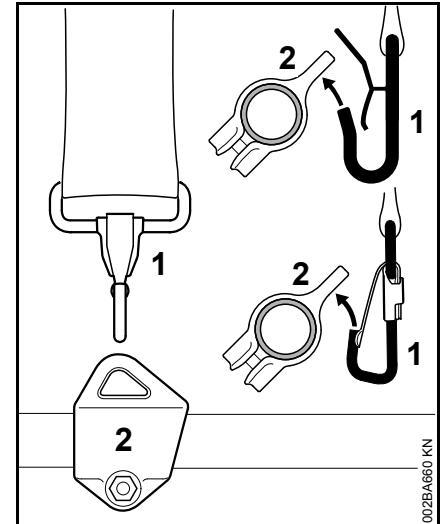
- Put on the shoulder strap (1).
- Adjust the length of the strap so that the carabiner (2) is about a hand's width below your right hip.

### Full Harness



- Put on the full harness (1).
- Adjust the length of the strap so that the carabiner (2) is about a hand's width below your right hip.
- Close the locking plate (3).

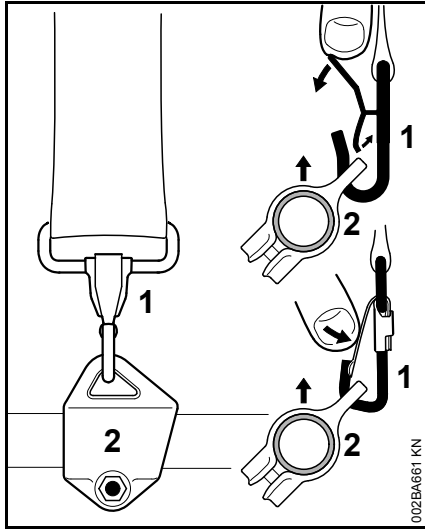
### Attaching Machine to Harness



The type and style of the harness and carabiner (spring hook) depend on the market.

- Attach the carabiner (1) to the carrying ring (2) on the drive tube.

## Disconnecting Machine from Harness



- Press down the bar on the carabiner (1) and pull the carrying ring (2) out of the carabiner.

## Throwing Off the Machine

### **!** WARNING

The machine must be quickly thrown off in the event of imminent danger. Practice removing and putting down the machine as you would in an emergency. To avoid damage, do not throw the unit to the ground when practicing.

Practice quickly detaching the power tool from the carabiner as described under "Disconnecting Machine from Harness".

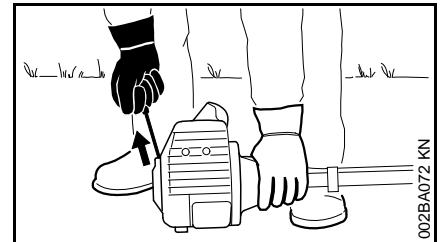
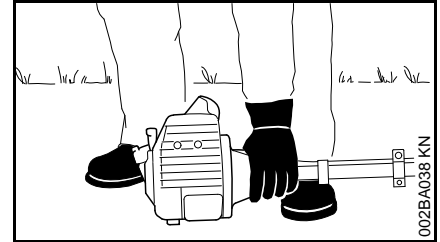
If you are using a shoulder strap: Practice slipping the strap off your shoulder.

If you are using a full harness: Practice quickly opening the locking plate and slipping the harness straps off your shoulders.

## Starting / Stopping the Engine

### Starting the Engine

Always follow the starting procedure described in the basic power tool instruction manual.



- Position the unit securely for starting: It must rest on the machine support and the blade gearbox.
- On units with adjustable cutter bar: Set the cutter bar to the straight (0°) position.
- Remove the blade scabbard. Check that the cutting blades are not touching the ground or any other obstacles. If necessary, rest the gearbox on a raised support (e.g. mound, brick or something similar).

- Make sure you have a safe and secure footing.
- Hold the unit **firmly** on the ground with your left hand and press down – do not touch the throttle trigger or trigger interlock.



#### NOTICE

Do not stand or kneel on the drive tube.



#### WARNING

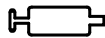
The cutting attachment may begin to move as soon as the engine starts. For this reason, blip the throttle after starting – the engine returns to idling speed.

Now follow the starting procedure described in the basic power tool instruction manual.

#### Stopping the Engine

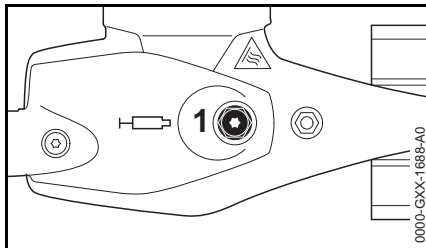
- See basic power tool instruction manual.

### Lubricating the Gearbox



#### Blade Drive Gear

Lubricate the blade drive gear with STIHL gear lubricant for hedge trimmers – see "Special Accessories".



- Check the lubricant level at regular intervals of about every 25 hours of operation. Unscrew the filler plug (1) – if no grease can be seen on the inside of the filler plug, screw the tube of grease into the filler hole.
- Squeeze up to 10 g (2/5 oz) grease into the gearbox.



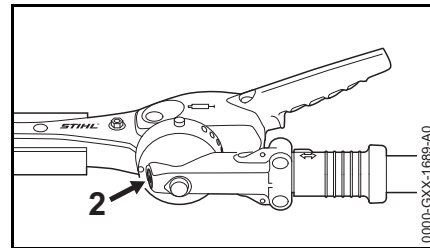
#### NOTICE

Do not completely fill the gearbox with grease.

- Unscrew the tube of grease from the filler hole.
- Refit the filler plug and tighten it down firmly.

#### Angle Drive Gear

Lubricate the angle drive gear with STIHL gear lubricant for brushcutters (special accessory).



- Check the lubricant level at regular intervals of about every 25 hours of operation. Unscrew the filler plug (2) – if no grease can be seen on the inside of the filler plug, screw the tube of grease into the filler hole.
- Squeeze up to 5 g (1/5 oz) grease into the gearbox.



#### NOTICE

Do not completely fill the gearbox with grease.

- Unscrew the tube of grease from the filler hole.
- Refit the filler plug and tighten it down firmly.



## Storing the Machine

For periods of 3 months or longer

- Clean the cutting blades, check condition and spray them with STIHL resin solvent.
- Fit the blade scabbard.
- Store the machine in a dry, high or locked location – out of the reach of children and other unauthorized persons.

## Maintenance and Care

The following intervals apply to normal operating conditions only. If your daily working time is longer or operating conditions are difficult (very dusty work area, etc.), shorten the specified intervals accordingly.

### All accessible screws and nuts

- Check and retighten if necessary (not screws and nuts on cutting blades)

### Cutting blades

- Visual inspection before starting work
- Resharpener as necessary
- Replace if damaged

### Gearbox lubrication

- Check before starting work
- Replenish as necessary

### Safety labels

- Replace illegible safety labels

## Sharpening Instructions

When cutting performance and behavior begin to deteriorate, i.e. blades frequently snag on branches: Resharpener the cutting blades.

It is best to have the cutting blades resharpened by a dealer on a workshop sharpener. STIHL recommends a STIHL servicing dealer.



### NOTICE

Do not operate your machine with dull or damaged cutting blades. This may cause overload and will give unsatisfactory cutting results.

## Minimize Wear and Avoid Damage

Observing the instructions in this manual and the basic power tool manual helps reduce the risk of unnecessary wear and damage to the power tool.

The power tool must be operated, maintained and stored with the due care and attention described in these instruction manuals.

The user is responsible for all damage caused by non-observance of the safety precautions, operating and maintenance instructions. This includes in particular:

- Alterations or modifications to the product not approved by STIHL.
- Using tools or accessories which are neither approved or suitable for the product or are of a poor quality.
- Using the product for purposes for which it was not designed.
- Using the product for sports or competitive events.
- Consequential damage caused by continuing to use the product with defective components.

### Maintenance Work

All the operations described in the chapter on "Maintenance and Care" must be performed on a regular basis. If these maintenance operations cannot be performed by the owner, they should be performed by a servicing dealer.

STIHL recommends that you have servicing and repair work carried out exclusively by an authorized STIHL

servicing dealer. STIHL dealers are regularly given the opportunity to attend training courses and are supplied with the necessary technical information.

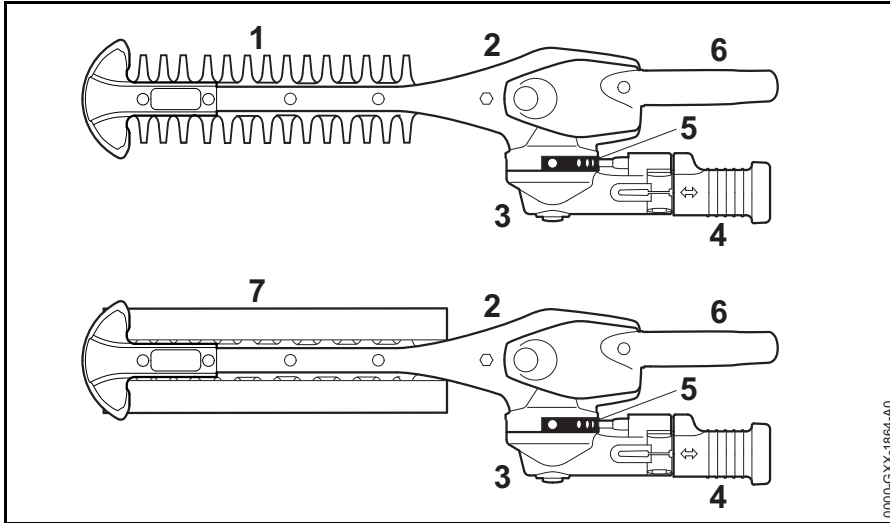
If these maintenance operations are not carried out as specified, the user assumes responsibility for any damage that may occur. Among other parts, this includes:

- Corrosion and other consequential damage resulting from improper storage.
- Damage to the product resulting from the use of poor quality replacement parts.

### Parts Subject to Wear and Tear

Some parts of the power tool (e.g. cutting blades) are subject to normal wear and tear even during regular operation in accordance with instructions and, depending on the type and duration of use, have to be replaced in good time.

## Main Parts



- 1 Cutting blades
- 2 Blade drive gear
- 3 Angle drive
- 4 Sliding sleeve
- 5 Quadrant
- 6 Adjusting lever
- 7 Blade guard (scabbard)

## Specifications

### Cutting blades

Type:	Double-edged for bidirectional cutting
Cutting length:	250 mm
Tooth spacing:	34 mm
Tooth height:	22 mm
Sharpening angle:	45° to horizontal

### Weight

Attachment:	1.5 kg
-------------	--------

### Noise and Vibration Data

Noise and vibration data measurements on power tools with the HL attachment include idling and rated maximum speed in a ratio of 1:1.

For further details on compliance with Vibration Directive 2002/44/EC see [www.stihl.com/vib](http://www.stihl.com/vib).

### Sound pressure level $L_p$ to ISO 28868

KA 85 R:	96 dB(A)
FS 91:	94 dB(A)
FS 91 R:	93 dB(A)
FS 111:	94 dB(A)
FS 111 R:	93 dB(A)
FS 131:	98 dB(A)
FS 131 R:	98 dB(A)

### Sound power level $L_w$ to ISO 22868

KA 85 R:	110 dB(A)
FS 91:	106 dB(A)
FS 91 R:	106 dB(A)
FS 111:	106 dB(A)
FS 111 R:	106 dB(A)
FS 131:	110 dB(A)
FS 131 R:	110 dB(A)

### Vibration measurement $a_{hv,eq}$ to ISO 22867

	Loop handle / bike handle	Control handle
KA 85 R:	5.5 m/s <sup>2</sup>	4.9 m/s <sup>2</sup>
FS 91:	4.8 m/s <sup>2</sup>	4.5 m/s <sup>2</sup>
FS 91 R:	4.4 m/s <sup>2</sup>	3.3 m/s <sup>2</sup>
FS 111:	4.8 m/s <sup>2</sup>	4.5 m/s <sup>2</sup>
FS 111 R:	4.4 m/s <sup>2</sup>	3.3 m/s <sup>2</sup>
FS 131:	3.8 m/s <sup>2</sup>	4.2 m/s <sup>2</sup>
FS 131 R:	6.1 m/s <sup>2</sup>	4.8 m/s <sup>2</sup>

The K-factor in accordance with Directive 2006/42/EC is 2.5 dB(A) for the sound pressure level and sound power level; the K-factor in accordance with Directive 2006/42/EC is 2.0 m/s<sup>2</sup> for the vibration measurement.

### REACH

REACH is an EC regulation and stands for the Registration, Evaluation, Authorisation and Restriction of Chemical substances.

For information on compliance with the REACH regulation (EC) No. 1907/2006 see [www.stihl.com/reach](http://www.stihl.com/reach).


## Maintenance and Repairs

Users of this machine may only carry out the maintenance and service work described in this user manual. All other repairs must be carried out by a servicing dealer.

STIHL recommends that you have servicing and repair work carried out exclusively by an authorized STIHL servicing dealer. STIHL dealers are regularly given the opportunity to attend training courses and are supplied with the necessary technical information.

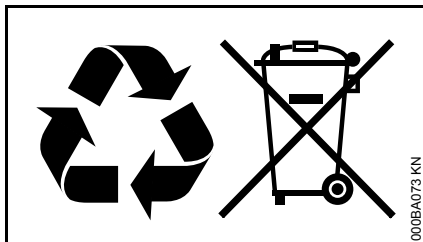
When repairing the machine, only use replacement parts which have been approved by STIHL for this power tool or are technically identical. Only use high-quality replacement parts in order to avoid the risk of accidents and damage to the machine.

STIHL recommends the use of original STIHL replacement parts.

Original STIHL parts can be identified by the STIHL part number, the **STIHL** logo and the STIHL parts symbol  (the symbol may appear alone on small parts).

## Disposal

Observe all country-specific waste disposal rules and regulations.



STIHL products must not be thrown in the garbage can. Take the product, accessories and packaging to an approved disposal site for environment-friendly recycling.

Contact your STIHL servicing dealer for the latest information on waste disposal.

## EC Declaration of Conformity

ANDREAS STIHL AG & Co. KG  
Badstr. 115  
D-71336 Waiblingen

Germany

declare in exclusive responsibility that the product

Category: Power scythe attachment

Make: STIHL

Model: FH

Serial identification: 4243

conforms to the relevant provisions of Directives 2006/42/EC and 2000/14/EC and has been developed and manufactured in compliance with the following standards in the versions valid on the date of production:

EN ISO 12100, EN ISO 11806-1 (in conjunction with the specified FS and HL models).

Technical documents deposited at:

ANDREAS STIHL AG & Co. KG  
Produktzulassung (Product Licensing)

The year of manufacture is applied to the power tool.

Done at Waiblingen, 28.10.2016  
ANDREAS STIHL AG & Co. KG

Thomas Elsner

Director Product Management and Services





0458-226-0121-B

englisch



[www.stihl.com](http://www.stihl.com)



0458-226-0121-B